

EuLED - Neptune LED Bollard Lighting

EuLED Neptune LED Bollard Range

4 Watt AC
4 Watt DC

8 Watt AC
8 Watt DC

12 Watt AC
12 Watt DC

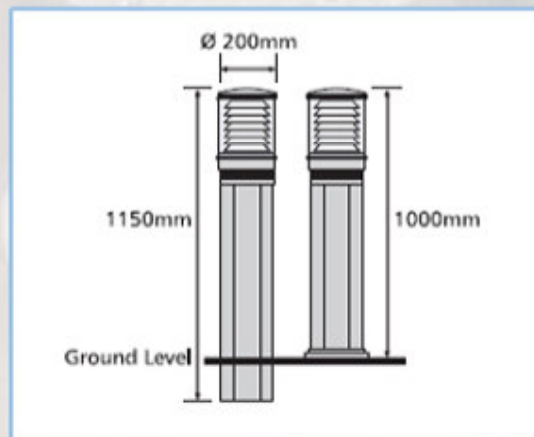
Alternative Products

EuLED - Neptune LED Path Marker

5 Watt AC
5 Watt DC

The Neptune LED Bollard is a environmentally friendly, energy saving replacement for traditional sodium, mercury and halogen style bollards.

The Neptune LED Bollard is ready for connection to either AC mains power supply or our Mercury solar power management unit, which provides a flexible lighting solution where mains power is not available or desired.



EuLED

Sustainable Lighting Solutions

Willowmere,
Mere Lane,
Finmere,
Bucks,
MK18 4DH5

Tel: +44 (0) 117 230 8238
Fax: +44 (0) 117 981 1223
Email: sales@euled.org

www.EuLED.org



Specifications: Neptune LED Bollard Lighting

Input voltage AC	230V AC 50Hz / 110V AC 60Hz
Input voltage DC	12 VDC
Input power	4 watts, 8 watts, 12 watts
Operating temperature	-20 degrees C to + 70 degrees C
Total lamp output	55 lumens per watt
Correlated colour temperature	4500 to 8000 degrees K
LED Lifespan	Typically 80,000 hours
Turn on time	100ns
Unit colour	Black
Weight	Max Weight 5Kg
Unit Size	Height 1000mm / Width 200mm
Mounting	Rooted or Flanged